

From DC to Daylight....

Scan, Detect, Process, Record & Playback RF Signals At Will

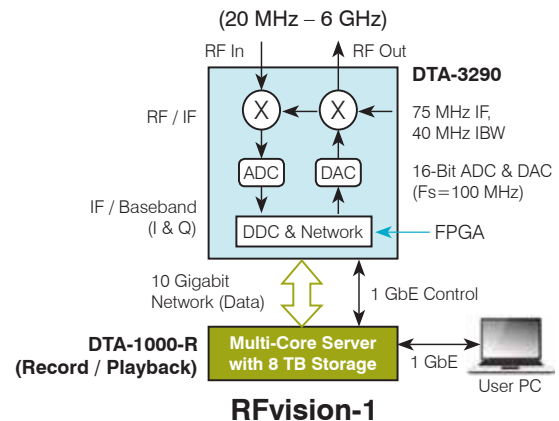
RFvision-1 Wideband (40MHz) Scanning Transceiver



DTA-3290 (1U)
DTA-1000-R (1U)

Shock-protected packaging

- 0.02 – 6 GHz frequency coverage
- 40 MHz instantaneous BW
- 16-Bit ADC & DAC
- FPGA based programmable DDC for complex baseband conversion
- Real-Time recording (over 11 hrs for 40 MHz BW)
- Optional RF playback of recorded & simulated signal
- Convenient & failsafe GUI for control and display



Click "RFvision-1 Wideband Scanning Transceiver" on our home page.

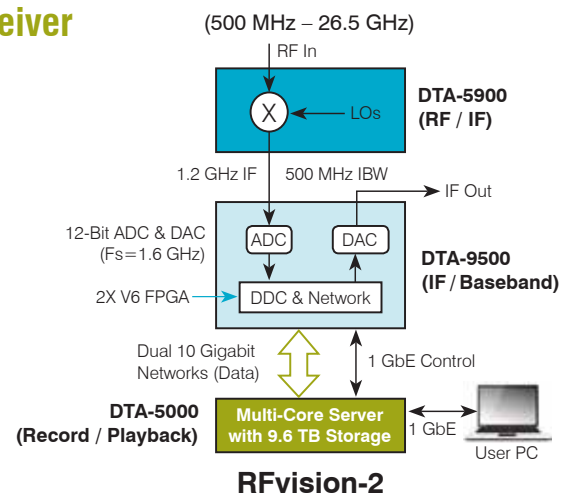
RFvision-2 Ultra-Wideband (500 MHz) Scanning Transceiver



DTA-5900 (1U)
DTA-9500 (1U)
DTA-5000 (3U)

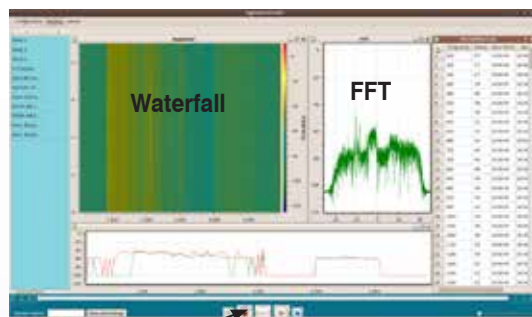
Shock-protected packaging

- 0.5 – 26.5 GHz frequency coverage
- 500 MHz instantaneous BW
- 12-Bit ADC & DAC
- FPGA based DDC for complex baseband conversion
- Real-Time recording for hours
- Optional IF playback of recorded & simulated signal
- Convenient & failsafe GUI for control and display



Click "RFvision-2 Ultra-Wideband Scanning Transceiver" on our home page.

SigInspector™ GUI



- 'Plug & Play' solutions with D-TA's SigInspector™ GUI
- Rapid user development using D-TA's Software Development Kit (SDK) and support

DTA
D-TA SYSTEMS INC.
A Sensor Interface and Processing Company

www.d-ta.com

sales@d-ta.com 1-877-382-3222

SPECTRUM INTELLIGENCE FROM D-TA
NOTHING ELSE COMES CLOSE!