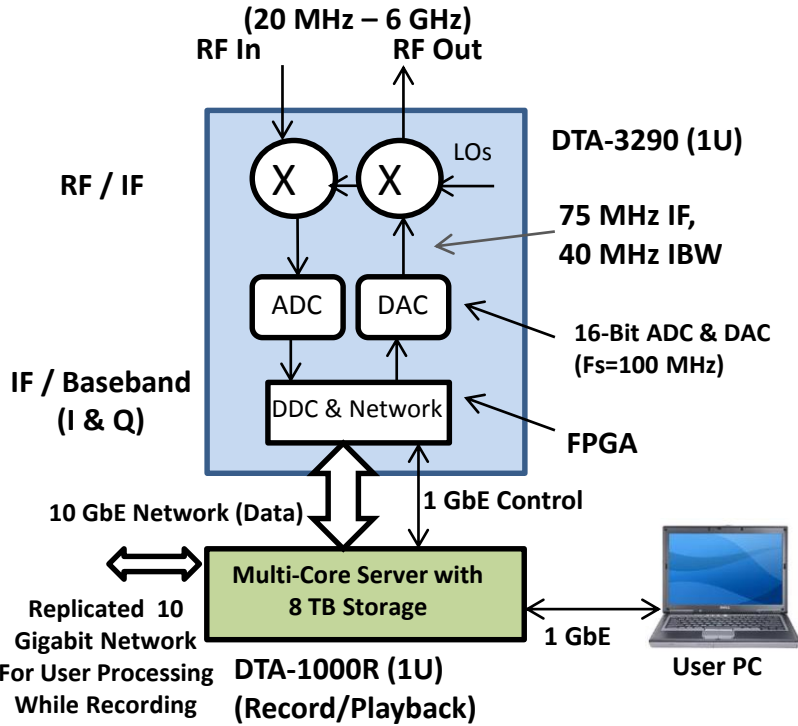


RFvision-1 Wideband RF Recording & Broadcasting System

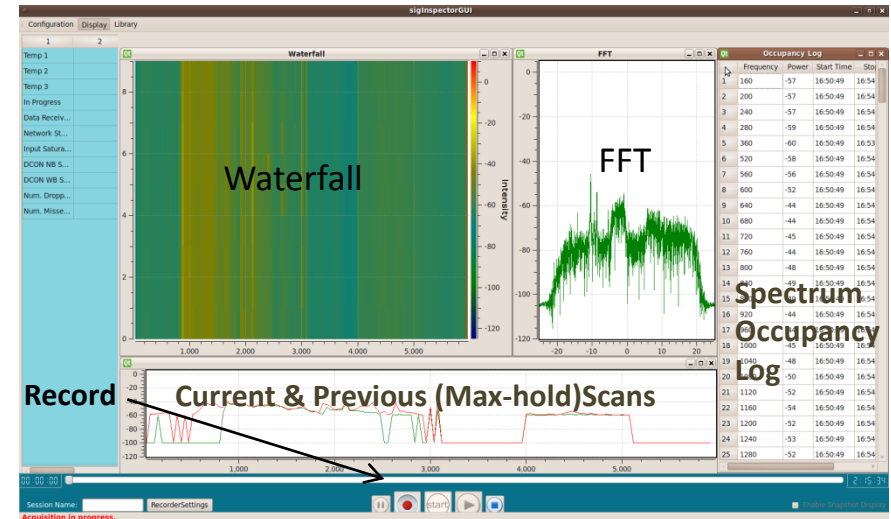


RFvision-1 Block Diagram

- Independently tuned receive & transmit channels
- 20 MHz – 6 GHz gapless frequency coverage
- Optional HF add-on for 1 MHz -6 GHz frequency coverage
- 2.5 MHz to 40 MHz operating BW selection (DDC based)
- 16-Bit ADC & DAC & FPGA based DDC
- Real-Time recording (over 11 hrs for 40 MHz BW)
- RF playback of pre-recorded or computer generated data
- SigInspector™ 1 GUI software for control & operation



RFvision-1 (shown in a shock isolated transit case) includes DTA-3290 transceiver & DTA-1000R RAID Server



SigInspector™ 1 software for spectrum scanning, spectrum selection for real-time recording, file transfer & RF playback