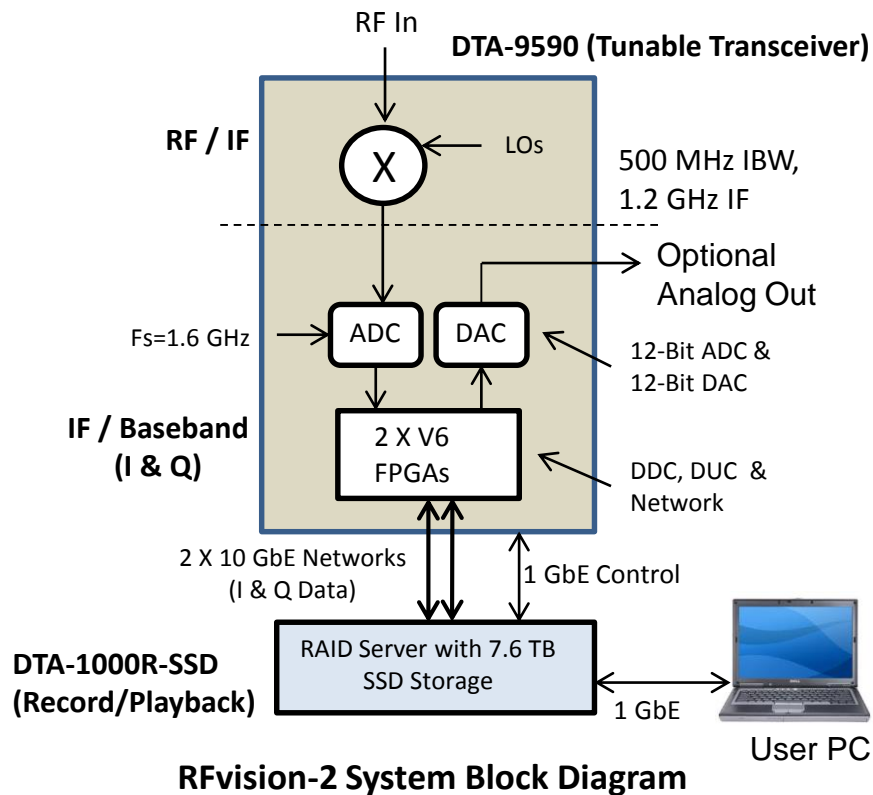


# RFvision-2 Ultra-Wideband RF Recording & Playback System



RFvision-2 System

(500 MHz – 18 GHz)



## Major Features:

- 500 MHz to 18 GHz frequency coverage (extendable to 40 GHz) with 500 MHz IBW
- 12 Bit data converters & dual Virtex 6 FPGAs with DDC & network cores
- 60 dB SFDR; 1 KHz Scan resolution; low phase noise; and fast scanning
- Programmable DDC based BW selection (500 MHz standard, 250 MHz, 125 MHz & Others are optional)
- Real-time recording of 500 MHz BW signal ( I & Q data)
- Optional replicated 10 GbE networks for simultaneous user processing (in a separate computer) while recording
- Convenient & failsafe SigInspector™ 2 software for convenient control and operation
- File support for MATLAB & MIDAS BLUE PLATINUM for analysis of post-recorded data